

SINEAX VS40

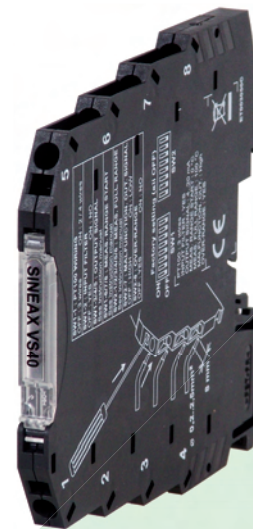
Signal Converter

Pt100 to DC current / voltage isolator



Features / Benefits

- Input: Pt100 (2, 3, 4 wires) (– 150 °C ... 650 °C)
- Output: Current 0/4 ... 20 or 20 ... 4/0 mA or voltage 0 ... 5/10, 10 ... 0, 1 ... 5 V DC
- 3-way galvanic isolation
- Spring-cage clamp connection
- Power bridging terminal – DIN rail bus connector
- Small dimensions (6.2 x 93.1 x 102.5 mm)
- Resolution of 14 bit
- Accuracy class 0.1%



General Data

Power supply	19.2 ... 30 V DC
Accuracy	Error: 0.1% (max. range) or (40 K/temp + 0.05) % (measurement range)
Status indicators (LED)	Setting error Wrong connection Internal improper functioning
Galvanic isolation	Power supply / input / output at 1500 V AC, digital
Hot swapping	Yes
Power consumption	500 MW
A/D Converter	14 bit
Current output protection	Approximately 25 mA
Security output	102.5% of full scale value in case of over-range 105% of full scale value in case of improper functioning
Humidity	Up to 90% at + 40 °C (not condensing)
Housing	Terminal housing for mounting on 35 mm DIN 46277
Frequency filter	50 ... 60 Hz
DIP-Switch	– Input signals setup – Output signal setup
Processing	Floating point 32 bit
Dimensions	6,2 x 93,1 x 102,5 mm (w x h x d)
Weight	50 g

Operating temperature	– 20 ... + 65 °C
Connections	Spring cage clamp
IP Protection	IP 20
Conformity	CE

Input Data

Pt100 probe (EN 60751/A2 (ITS90))	Connection by 2, 3 or 4 wires Current on sensor: < 900 µA Cable resistance: Max. 20 Ω per wire Measurement range: – 150 ... 650 °C Min. span: 50 °C
-----------------------------------	---

Output Data

Current:	0 ... 20 mA, 4 ... 20 mA, 20 ... 0 mA and 20 ... 4 mA Higher load resistance: 500 Ω
Voltage	0 ... 5 V DC, 1 ... 5 V DC, 0 ... 10 V DC and 10 ... 0 V DC Lower load resistance: 2 kΩ

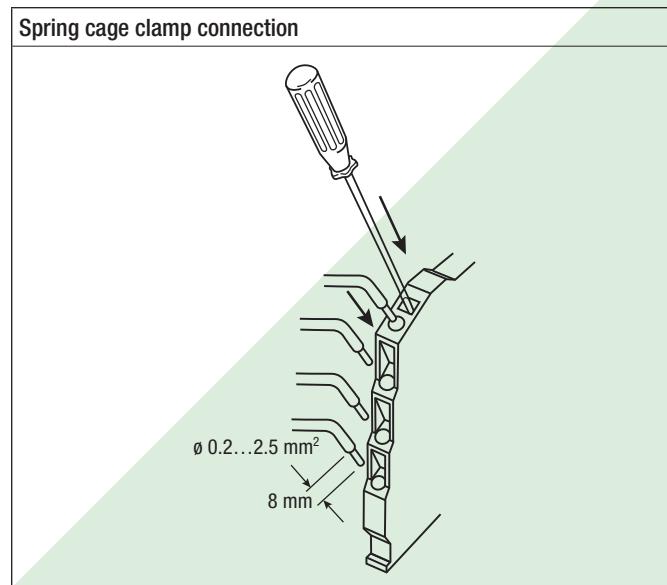
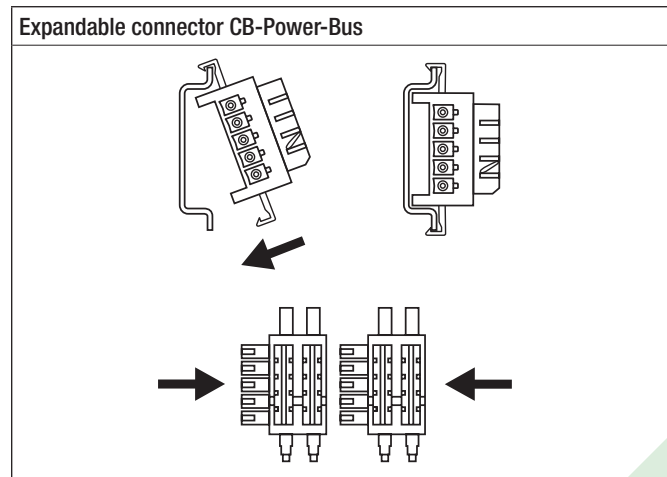
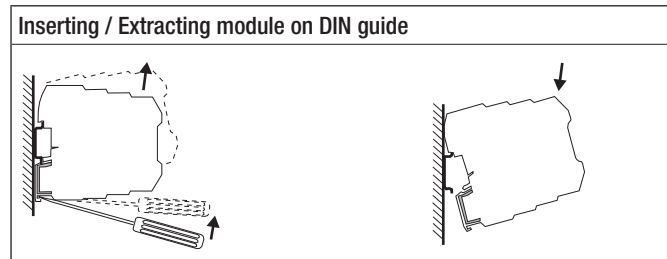
SINEAX VS40

Signal Converter

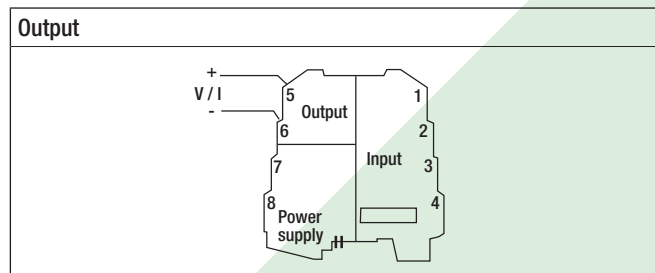
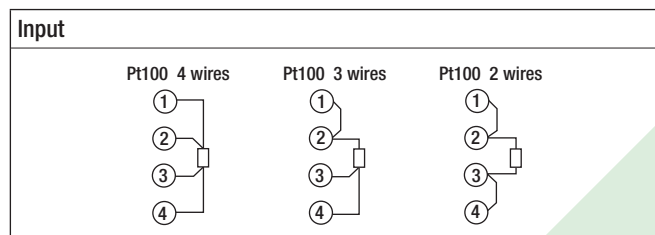
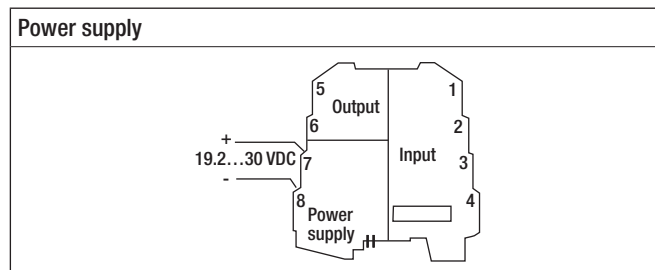
Order Codes

Description	Code
Pt100 to DC current/voltage isolator converter	162 751
Accessories	
CB-Power-Bus Expandable power supply connector	162 826
SINEAX VS70 Power supply module with surge protection	162 818

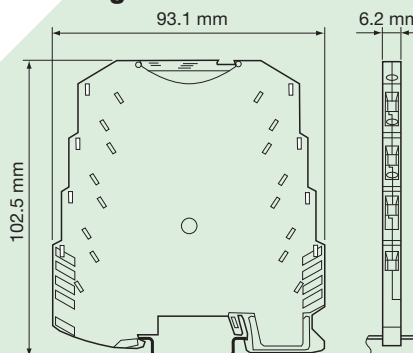
Installation



Electrical connections



Dimensional diagram



CAMILLE BAUER

Rely on us.

Camille Bauer Ltd
 Aargauerstrasse 7
 CH-5610 Wohlen / Switzerland
 Phone: +41 56 618 21 11
 Fax: +41 56 618 35 35
 e-mail: info@camillebauer.com
 www.camillebauer.com